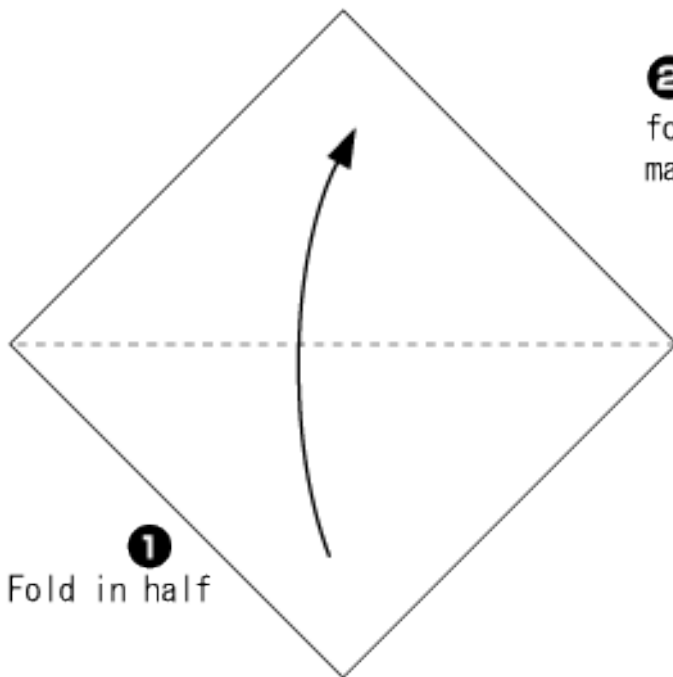
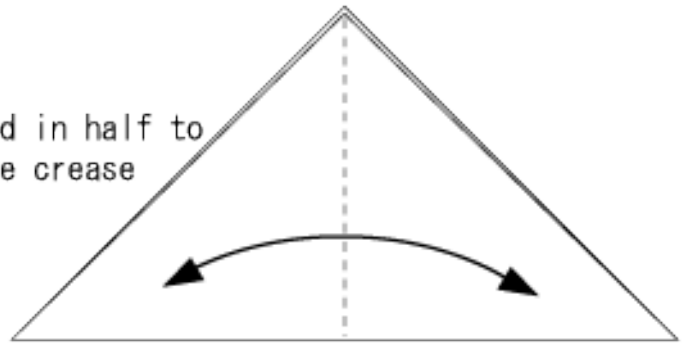


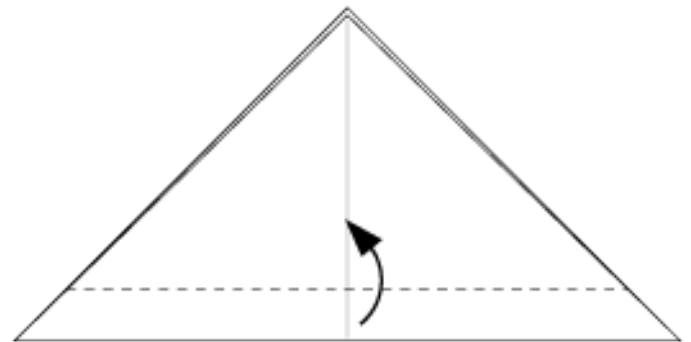
Rabbit Origami



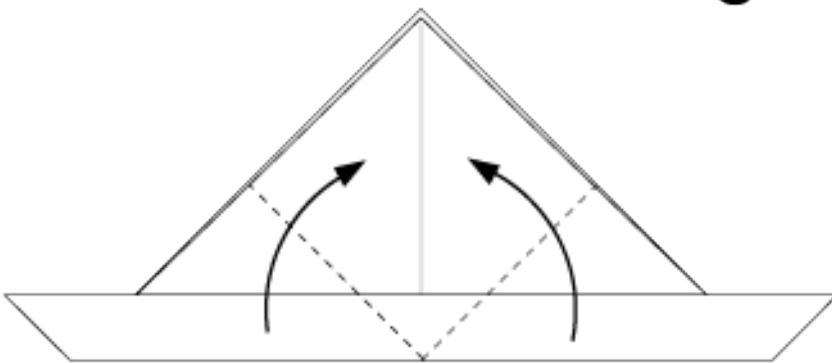
1
Fold in half



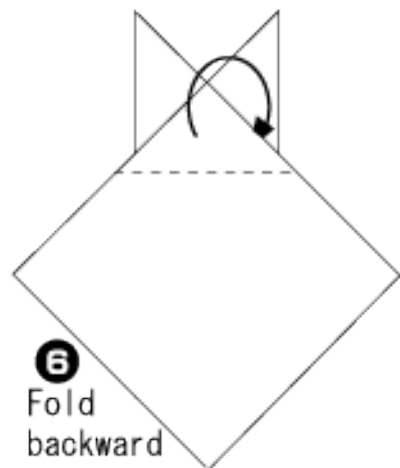
2
fold in half to
make crease



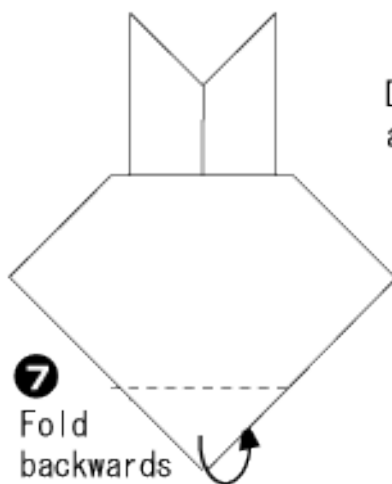
3 Fold in the dotted line



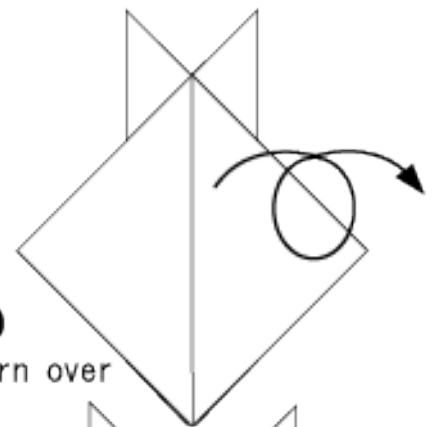
4 Fold to meet the center line
along the crease



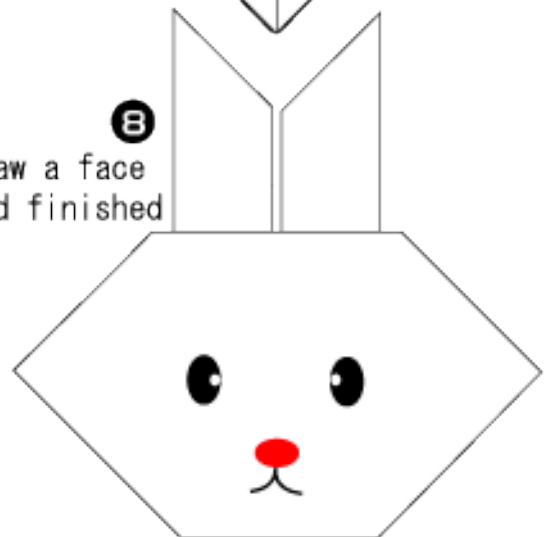
6
Fold
backward
in the dotted
line



7
Fold
backwards
in the dotted line



5
Turn over



8
Draw a face
and finished

A Rabbit (face)